



# RS-485 Transceivers with Integrated 100Ω/120Ω Termination Resistors

## ABSOLUTE MAXIMUM RATINGS

(All voltages referenced to GND.)

V <sub>CC</sub> , V <sub>L</sub> .....	-0.3V to +6V
DE, $\overline{RE}$ , DI, RO, $\overline{TERM}$ , TERM100, SRL .....	-0.3V to (V <sub>L</sub> + 0.3V)
INV, FAULT .....	-0.3V to (V <sub>L</sub> + 0.3V)
A, B, Z, Y .....	-8V to +13V
A to B (High-Z State) .....	+14V
B to A (High-Z State) .....	+14V
Short-Circuit Duration (RO, Y, Z) to GND .....	Continuous

Continuous Power Dissipation (T<sub>A</sub> = +70°C)

TSSOP (derate 25.6mW/°C above +70°C).....	2051mW
Operating Temperature Range .....	-40°C to +125°C
Storage Temperature Range .....	-65°C to +150°C
Junction Temperature .....	+150°C
Lead Temperature (soldering, 10s) .....	+300°C
Soldering Temperature (reflow) .....	+260°C

## PACKAGE THERMAL CHARACTERISTICS (Note 1)

TSSOP

Junction-to-Ambient Thermal Resistance (θ <sub>JA</sub> ) .....	39°C/W
Junction-to-Case Thermal Resistance (θ <sub>JC</sub> ) .....	3°C/W

**Note 1:** Package thermal resistances were obtained using the method described in JEDEC specification JESD51-7, using a four-layer board. For detailed information on package thermal considerations, refer to [www.maxim-ic.com/thermal-tutorial](http://www.maxim-ic.com/thermal-tutorial).

Stresses beyond those listed under "Absolute Maximum Ratings" may cause permanent damage to the device. These are stress ratings only, and functional operation of the device at these or any other conditions beyond those indicated in the operational sections of the specifications is not implied. Exposure to absolute maximum rating conditions for extended periods may affect device reliability.

## ELECTRICAL CHARACTERISTICS

(V<sub>CC</sub> = +4.5V to +5.5V, V<sub>L</sub> = +1.62V to V<sub>CC</sub>, T<sub>A</sub> = T<sub>MIN</sub> to T<sub>MAX</sub>, unless otherwise noted. Typical values are at V<sub>CC</sub> = +5V, V<sub>L</sub> = +1.8V, and T<sub>A</sub> = +25°C.) (Note 2)

PARAMETER	SYMBOL	CONDITIONS	MIN	TYP	MAX	UNITS
Supply Voltage	V <sub>CC</sub>		4.5		5.5	V
Logic Supply Voltage	V <sub>L</sub>		1.62	1.8	V <sub>CC</sub>	V
Supply Current	I <sub>CC</sub>	DE = $\overline{RE}$ = high, $\overline{TERM}$ = high, no load			6	mA
		DE = $\overline{RE}$ = low, $\overline{TERM}$ = low, no load			12	
Logic Supply Current	I <sub>L</sub>	Current into V <sub>L</sub> , no load on RO, device not switching, DE = $\overline{RE}$ = high			2	μA
Shutdown Current	I <sub>SHDN</sub>	Current into V <sub>CC</sub> , DE = low, $\overline{RE}$ = $\overline{TERM}$ = high			30	μA
		Current into V <sub>CC</sub> , DE = low, $\overline{RE}$ = high, $\overline{TERM}$ = low			8	mA
<b>DRIVER</b>						
Differential Driver Output	V <sub>OD</sub>	R <sub>DIFF</sub> = 100Ω, Figure 1 (Note 3)	2.0		V <sub>CC</sub>	V
		R <sub>DIFF</sub> = 46Ω, Figure 1 (Note 3)	1.5		V <sub>CC</sub>	
Change in Magnitude of Differential Output Voltage	ΔV <sub>OD</sub>	R <sub>DIFF</sub> = 100Ω or 46Ω, Figure 1 (Note 3)			0.2	V
Driver Common-Mode Output Voltage	V <sub>OC</sub>	R <sub>DIFF</sub> = 100Ω or 46Ω, Figure 1 (Note 3)		V <sub>CC</sub> /2	3	V
Change In Magnitude of Common-Mode Voltage	ΔV <sub>OC</sub>	R <sub>DIFF</sub> = 100Ω or 46Ω, Figure 1 (Note 3)			0.2	V
Driver Short-Circuit Output Current	I <sub>OSD</sub>	0V ≤ V <sub>OUT</sub> ≤ +12V			+280	mA
		-7V ≤ V <sub>OUT</sub> ≤ 0V	-250			

# RS-485 Transceivers with Integrated 100Ω/120Ω Termination Resistors

MAX13450E/MAX13451E

## ELECTRICAL CHARACTERISTICS (continued)

(V<sub>CC</sub> = +4.5V to +5.5V, V<sub>L</sub> = +1.62V to V<sub>CC</sub>, T<sub>A</sub> = T<sub>MIN</sub> to T<sub>MAX</sub>, unless otherwise noted. Typical values are at V<sub>CC</sub> = +5V, V<sub>L</sub> = +1.8V, and T<sub>A</sub> = +25°C.) (Note 2)

PARAMETER	SYMBOL	CONDITIONS	MIN	TYP	MAX	UNITS
Driver Short-Circuit Foldback Output Current	I <sub>OSDF</sub>	(V <sub>CC</sub> - 1V) ≤ V <sub>OUT</sub> ≤ +12V	+15			mA
		-7V ≤ V <sub>OUT</sub> ≤ 0V			-15	
<b>RECEIVER</b>						
Input Current (A and B)	I <sub>A, B</sub>	DE = $\overline{RE}$ = GND; $\overline{TERM}$ = V <sub>L</sub> ; V <sub>CC</sub> = GND or 5.5V	VA or VB = +12V		125	μA
			VA or VB = -7V	-100		
Receiver Differential Threshold Voltage	V <sub>TH</sub>	-7V ≤ V <sub>CM</sub> ≤ +12V, DE = $\overline{RE}$ = GND; $\overline{TERM}$ = V <sub>L</sub> ; V <sub>CC</sub> = GND	VA or VB = +12V	-200	-50	mV
Receiver Input Hysteresis	ΔV <sub>TH</sub>	VA + VB = 0V		15		mV
<b>LOGIC INTERFACE</b>						
Input High Voltage	V <sub>IH</sub>	DI, DE, $\overline{RE}$ , $\overline{TERM}$ , SRL, TERM100, INV	2/3 × V <sub>L</sub>			V
Input Low Voltage	V <sub>IL</sub>	DI, DE, $\overline{RE}$ , $\overline{TERM}$ , SRL, TERM100, INV			1/3 × V <sub>L</sub>	V
Input Current	I <sub>IN</sub>	DI, DE, $\overline{RE}$ , $\overline{TERM}$ , TERM100, SRL, INV	-1		+1	μA
Receiver Output High Voltage	V <sub>ROH</sub>	I <sub>OUT</sub> = -1mA	V <sub>L</sub> - 0.6			V
Receiver Output Low Voltage	V <sub>ROL</sub>	I <sub>OUT</sub> = +1mA			0.4	V
Three-State Output Current at Receiver	I <sub>OZR</sub>	0V ≤ V <sub>RO</sub> ≤ V <sub>L</sub>	-1	+0.01	+1	μA
Receiver Output Short-Circuit Current	I <sub>OSR</sub>	0V ≤ V <sub>RO</sub> ≤ V <sub>L</sub>	±1		±80	mA
Fault Output High Voltage (MAX13451E)	V <sub>FAULTH</sub>	Fault condition, I <sub>OUT</sub> = -1mA	V <sub>L</sub> - 0.6			V
Fault Output Low Voltage (MAX13451E)	V <sub>FAULTL</sub>	Nonfault condition; I <sub>OUT</sub> = +1mA			0.4	V
<b>TERMINATION RESISTOR</b>						
100Ω Termination Resistor	R <sub>100</sub>	$\overline{TERM}$ = low, TERM100 = high	85	100	115	Ω
120Ω Termination Resistor	R <sub>120</sub>	$\overline{TERM}$ = low, TERM100 = low	101	120	139	Ω
Single-Ended Input Capacitance vs. GND	C <sub>IN</sub>	f = 1MHz (MAX13451E only)		40		pF
<b>ESD PROTECTION</b>						
ESD Protection (A, B, Y, Z)		Human Body Model	±30			kV
		IEC 61000-4-2 Air Gap Discharge	±15			
		IEC 61000-4-2 Contact Discharge	±7			
ESD Protection (All Other Pins)		Human Body Model	±2			

# RS-485 Transceivers with Integrated 100Ω/120Ω Termination Resistors

## SWITCHING CHARACTERISTICS—SRL = HIGH

(VCC = +4.5V to +5.5V, VL = +1.62V to VCC, TA = TMIN to TMAX, unless otherwise noted. Typical values are at VCC = +5V, VL = +1.8V and TA = +25°C.) (Note 2)

PARAMETER	SYMBOL	CONDITIONS	MIN	TYP	MAX	UNITS	
<b>DRIVER</b>							
Driver Propagation Delay	tDPLH	RDIFF = 54Ω, CL = 50pF, Figures 2 and 3			800	ns	
	tDPLH				800		
Differential Driver Output Skew  tDPLH - tDPLH	tDSKEW	RDIFF = 54Ω, CL = 50pF, Figure 3			100	ns	
Driver Differential Output Rise or Fall Time	tHL	RDIFF = 54Ω, CL = 50pF, Figures 2 and 3	100			600	ns
	tLH		100			600	
Maximum Data Rate	DRMAX		500			kbps	
Driver Enable from Shutdown to Output High	tDZH(SHDN)	S2 closed, RL = 500Ω, CL = 100pF, Figures 4 and 5			4500	ns	
Driver Enable from Shutdown to Output Low	tDZL(SHDN)	S1 closed, RL = 500Ω, CL = 100pF, Figures 4 and 5			5200	ns	
Driver Disable Delay	tDLZ, tDHZ	Figures 4 and 5			100	ns	
Driver Enable Delay	tDZL, tDZH	Figures 4 and 5			2500	ns	
<b>RECEIVER</b>							
Receiver Propagation Delay	tRPLH	CL = 15pF,  VID  ≥ 2.0V; tLH, tHL ≤ 15ns, Figures 6 and 7			200	ns	
	tRPHL				200		
Receiver Output Skew	tRSKEW	CL = 15pF, Figures 6 and 7			30	ns	
Maximum Data Rate	DRMAX		500			kbps	
Receiver Enable to Output High	tRZH	S2 closed, CL = 100pF, RL = 500Ω, Figures 8 and 9			50	ns	
Receiver Enable to Output Low	tRZL	S1 closed, CL = 100pF, RL = 500Ω, Figures 8 and 9			50	ns	
Receiver Disable from High	tRHZ	Figures 8 and 9			50	ns	
Receiver Disable from Low	tRLZ	Figures 8 and 9			50	ns	
Receiver Enable from Shutdown to Output High	tRZH(SHDN)	Figures 8 and 9			5000	ns	
Receiver Enable from Shutdown to Output Low	tRZL(SHDN)	Figures 8 and 9			5000	ns	
<b>TERMINATION RESISTOR</b>							
Turn-Off Time	tRTZ	Figure 10			120	μs	
Turn-On Time	tRTEN	Figure 10			1	μs	

# RS-485 Transceivers with Integrated 100Ω/120Ω Termination Resistors

MAX13450E/MAX13451E

## SWITCHING CHARACTERISTICS—SRL = LOW

(VCC = +4.5V to +5.5V, VL = +1.62V to VCC, TA = TMIN to TMAX, unless otherwise noted. Typical values are at VCC = +5V, VL = +1.8V, and TA = +25°C.) (Note 2)

PARAMETER	SYMBOL	CONDITIONS	MIN	TYP	MAX	UNITS
<b>DRIVER</b>						
Driver Propagation Delay	tDPLH	RDIFF = 54Ω, CL = 50pF, Figures 2 and 3			50	ns
	tDPHL				50	
Differential Driver Output Skew  tDPLH - tDPHL	tDSKEW	RDIFF = 54Ω, CL = 50pF, Figure 3			6	ns
Driver Differential Output Rise or Fall Time	tHL, tLH	RDIFF = 54Ω, CL = 50pF, Figures 2 and 3			15	ns
Maximum Data Rate	DRMAX		20			Mbps
Driver Enable from Shutdown to Output High	tDZH(SHDN)	S2 closed, RL = 500Ω, CL = 100pF, Figures 4 and 5			2000	ns
Driver Enable from Shutdown to Output Low	tDZL(SHDN)	S1 closed, RL = 500Ω, CL = 100pF, Figures 4 and 5			2000	ns
Driver Disable Delay	tDLZ, tDHZ	Figures 4 and 5			100	ns
Driver Enable Delay	tDZL, tDZH	Figures 4 and 5			100	ns
<b>RECEIVER</b>						
Receiver Propagation Delay	tRPLH	CL = 15pF,  VID  ≥ 2.0V; tLH, tHL ≤ 15ns, Figures 6 and 7			50	ns
	tRPHL				50	
Receiver Output Skew	tRSKEW	CL = 15pF, Figures 6 and 7			6	ns
Maximum Data Rate	DRMAX		20			Mbps
Receiver Enable to Output High	tRZH	S2 closed, CL = 100pF, RL = 500Ω, Figures 8 and 9			50	ns
Receiver Enable to Output Low	tRZL	S1 closed, CL = 100pF, RL = 500Ω, Figures 8 and 9			50	ns
Receiver Disable Time from High	tRHZ	Figures 8 and 9			50	ns
Receiver Disable Time from Low	tRLZ	Figures 8 and 9			50	ns
Receiver Enable from Shutdown to Output High	tRZH(SHDN)	Figures 8 and 9			2000	ns
Receiver Enable from Shutdown to Output Low	tRZL(SHDN)	Figures 8 and 9			2000	ns
<b>TERMINATION RESISTOR</b>						
Turn-Off Time	tRTZ	Figure 10		120		μs
Turn-On Time	tRTEN	Figure 10		1		μs

**Note 2:** All devices are 100% production tested at TA = +25°C. Limits over temperature are guaranteed by design.

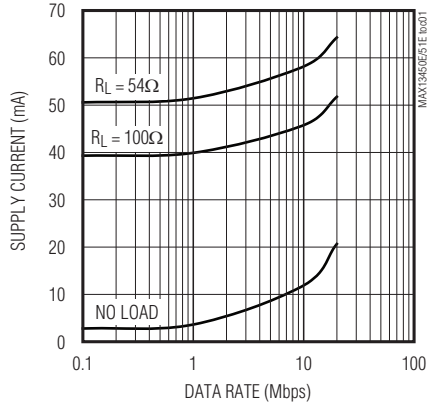
**Note 3:** Termination resistance is disabled (TERM = high).

# RS-485 Transceivers with Integrated 100Ω/120Ω Termination Resistors

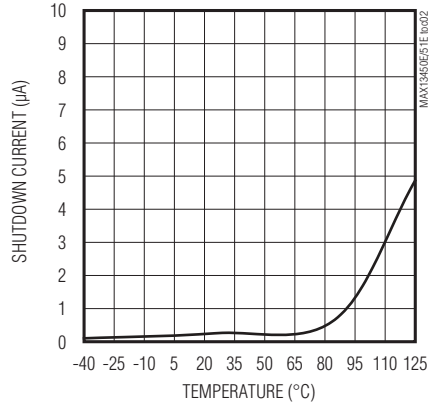
## Typical Operating Characteristics

(V<sub>CC</sub> = +5V, V<sub>L</sub> = +1.8V, T<sub>A</sub> = +25°C, unless otherwise noted.)

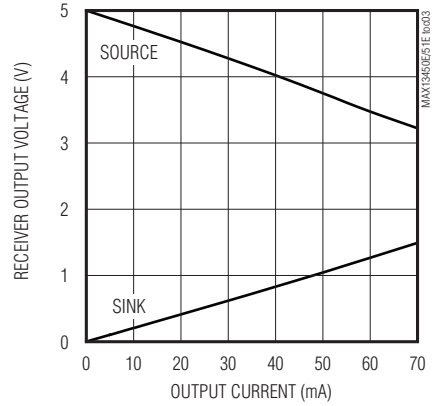
**SUPPLY CURRENT vs. DATA RATE**



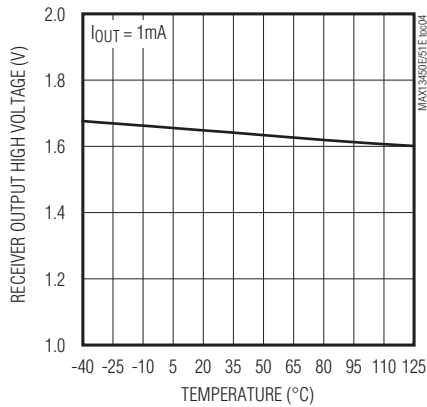
**SHUTDOWN CURRENT vs. TEMPERATURE**



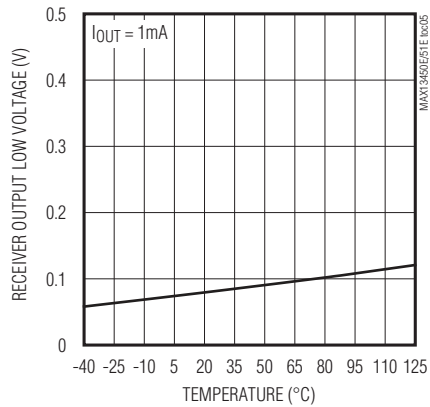
**RECEIVER OUTPUT VOLTAGE vs. OUTPUT CURRENT**



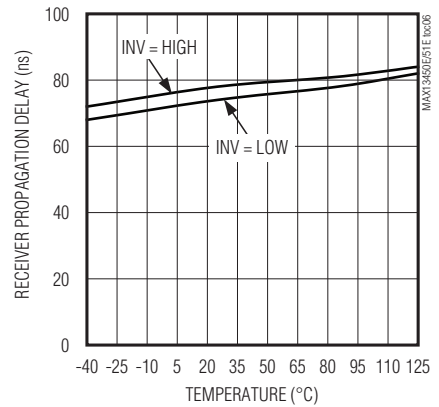
**RECEIVER OUTPUT HIGH VOLTAGE vs. TEMPERATURE**



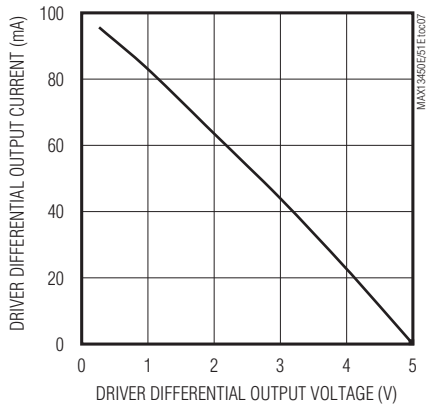
**RECEIVER OUTPUT LOW VOLTAGE vs. TEMPERATURE**



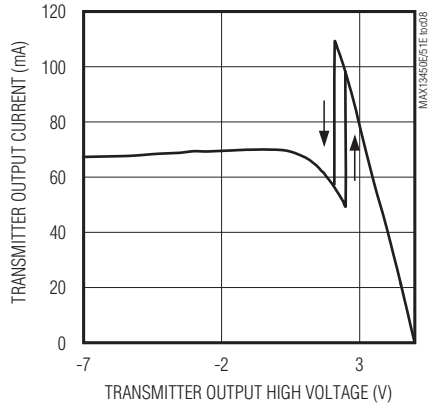
**RECEIVER PROPAGATION DELAY vs. TEMPERATURE**



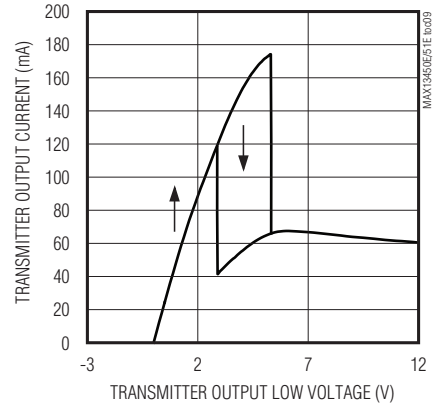
**DRIVER DIFFERENTIAL OUTPUT CURRENT vs. DIFFERENTIAL OUTPUT VOLTAGE**



**TRANSMITTER OUTPUT CURRENT vs. TRANSMITTER OUTPUT HIGH VOLTAGE**



**TRANSMITTER OUTPUT CURRENT vs. TRANSMITTER OUTPUT LOW VOLTAGE**

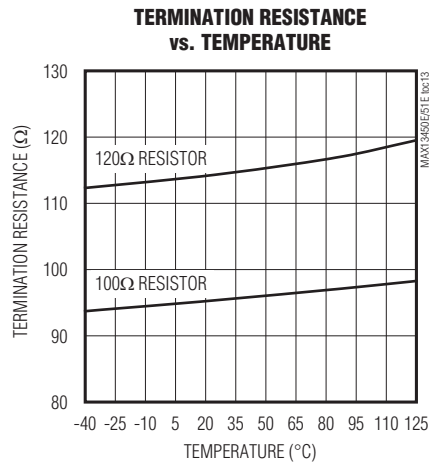
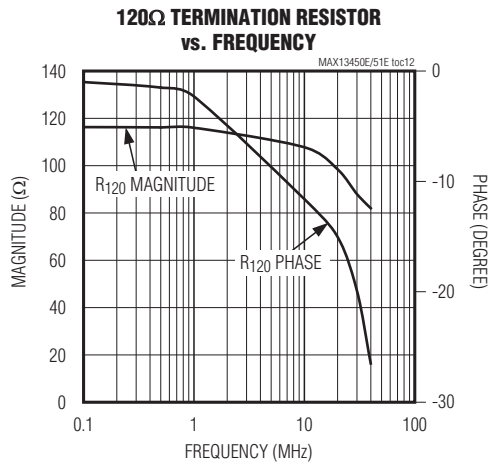
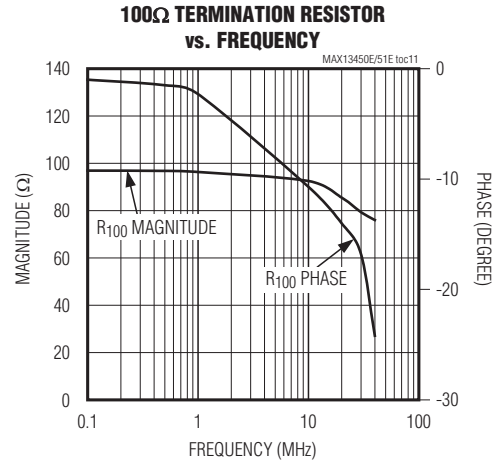
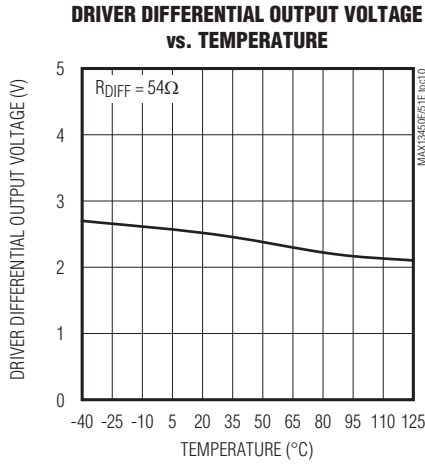


# RS-485 Transceivers with Integrated 100Ω/120Ω Termination Resistors

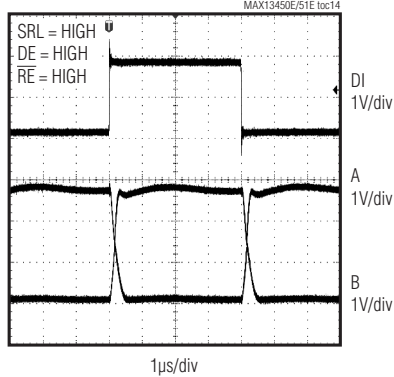
## Typical Operating Characteristics (continued)

(V<sub>CC</sub> = +5V, V<sub>L</sub> = +1.8V, T<sub>A</sub> = +25°C, unless otherwise noted.)

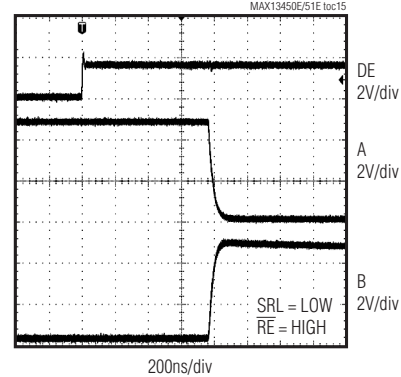
MAX13450E/MAX13451E



**DRIVER PROPAGATION DELAY (250kbps) (MAX13451E)**



**DRIVER ENABLE TIME FROM SHUTDOWN (MAX13451E)**



# RS-485 Transceivers with Integrated 100Ω/120Ω Termination Resistors

## Test Circuits and Waveforms

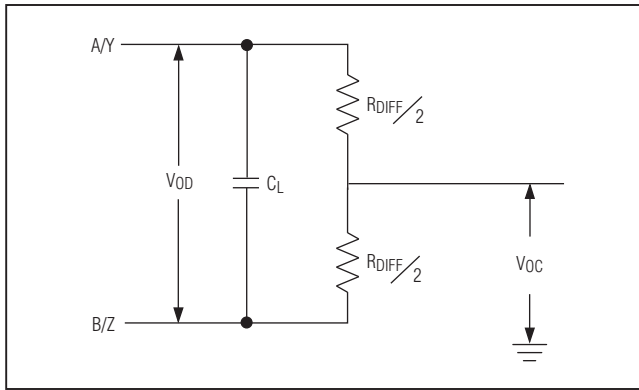


Figure 1. Driver DC Test Load

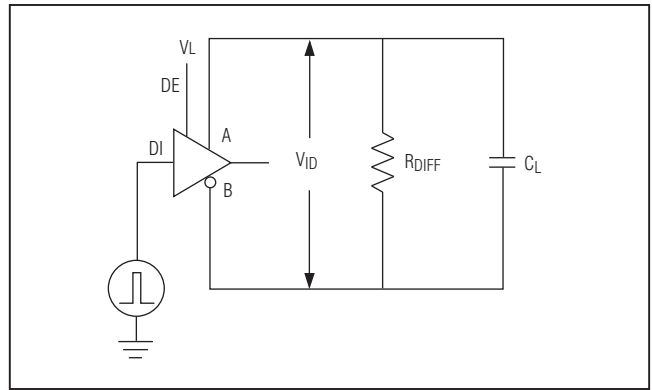


Figure 2. Driver Timing Test Circuit

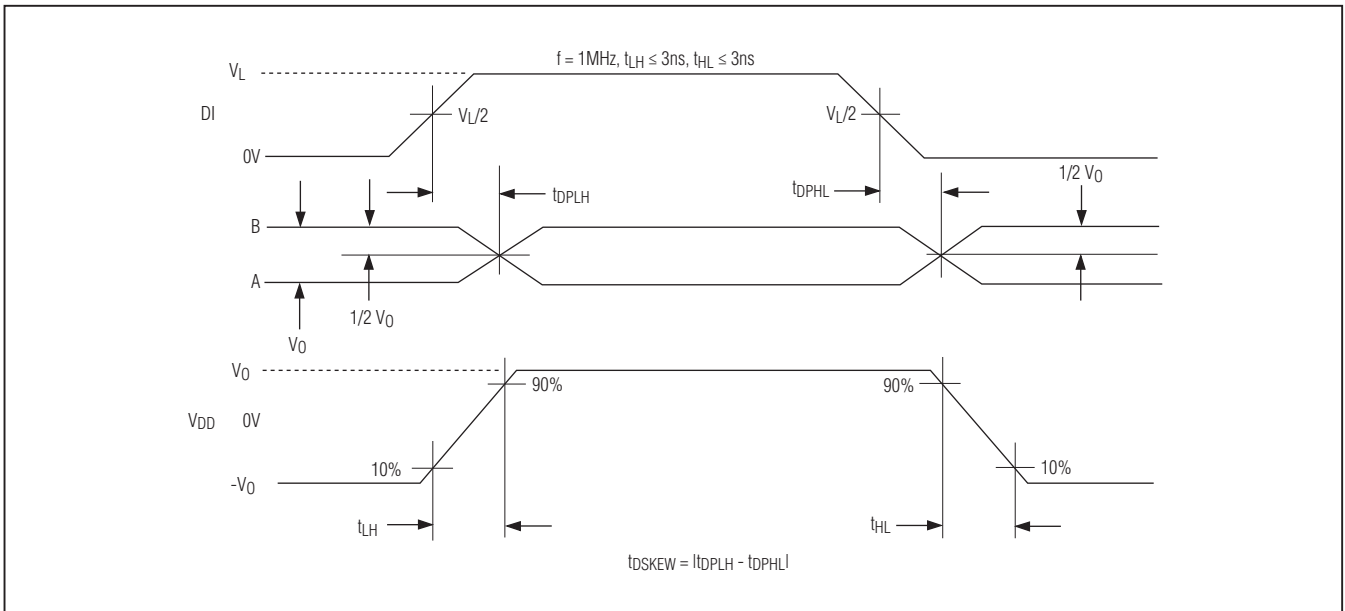


Figure 3. Driver Propagation Delays



# RS-485 Transceivers with Integrated 100Ω/120Ω Termination Resistors

## Test Circuits and Waveforms (continued)

MAX13450E/MAX13451E

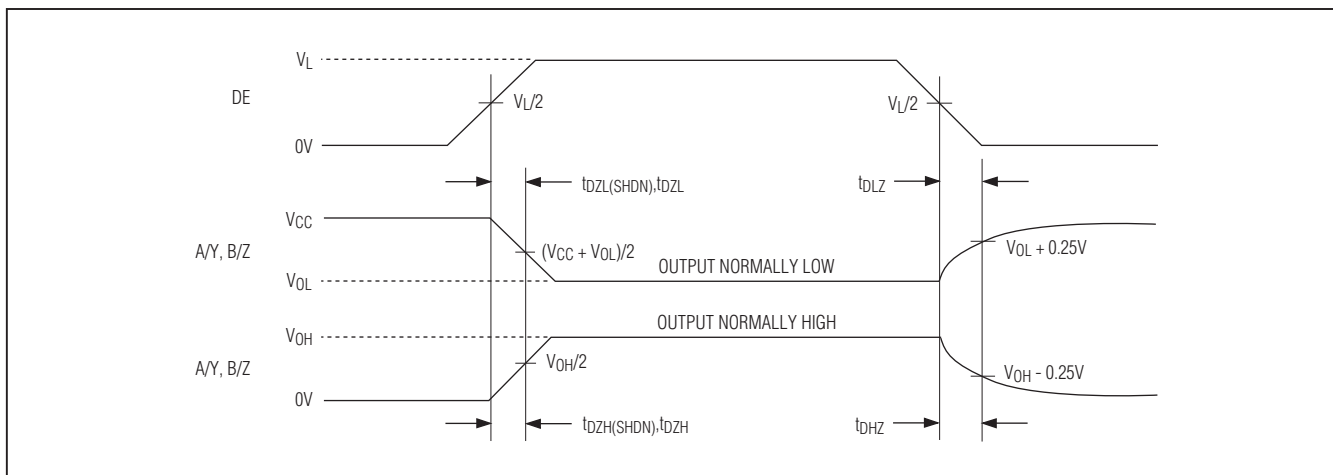


Figure 4. Driver Enable and Disable Times

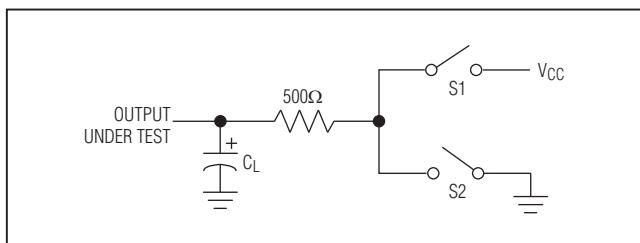


Figure 5. Driver-Enable and Disable-Timing Test Load

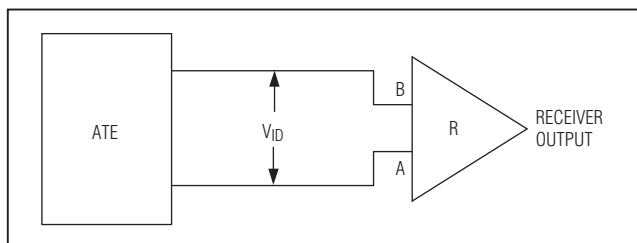


Figure 6. Receiver Propagation Delay Test Circuit

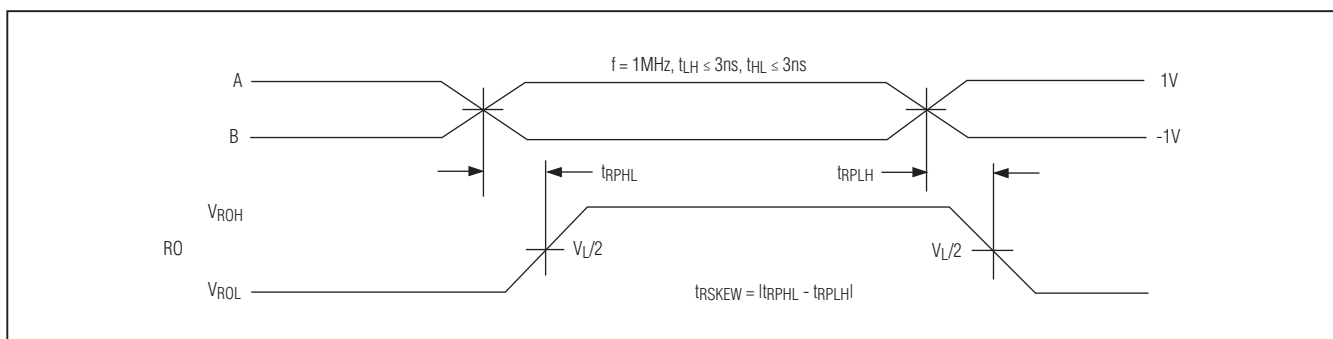


Figure 7. Receiver Propagation Delays

# RS-485 Transceivers with Integrated 100Ω/120Ω Termination Resistors

## Test Circuits and Waveforms (continued)

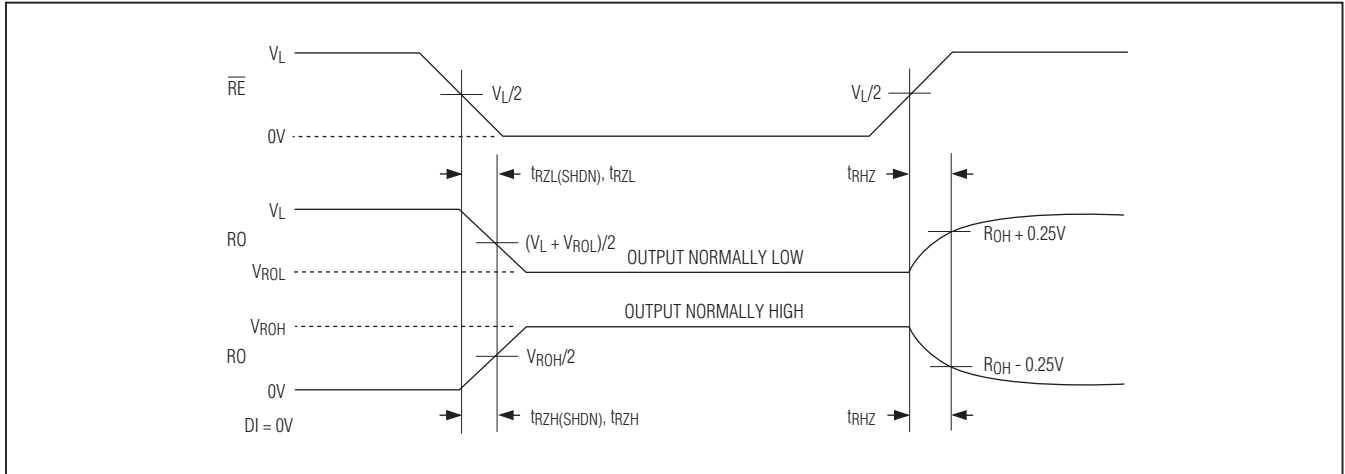


Figure 8. Receiver Enable and Disable Times

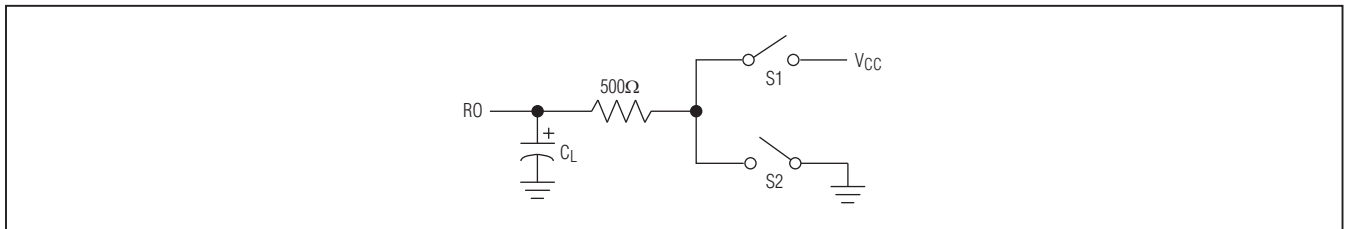


Figure 9. Receiver Enable and Disable Times

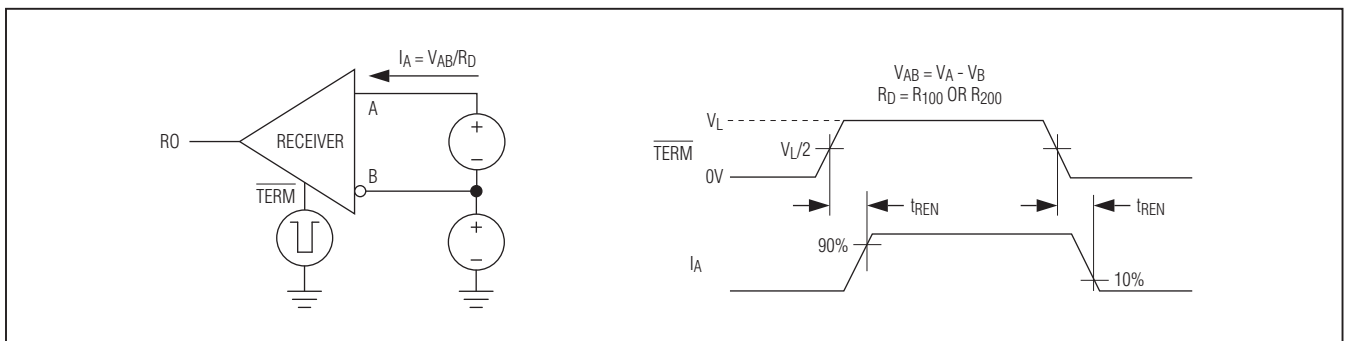
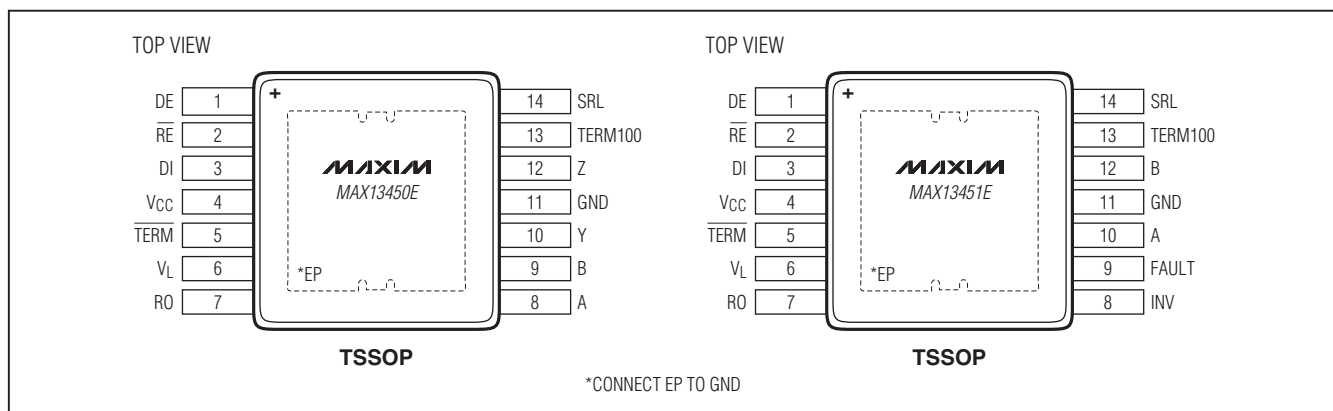


Figure 10. Termination Resistor Turn-On/Off Times

# RS-485 Transceivers with Integrated 100Ω/120Ω Termination Resistors

## Pin Configurations



## Pin Description

PIN		NAME	FUNCTION
MAX13450E	MAX13451E		
1	1	DE	Driver-Output Enable. Drive DE low to put the driver output in three-state. Drive DE high to enable the driver. DE is referenced to VL.
2	2	$\overline{RE}$	Receiver-Output Enable. Drive $\overline{RE}$ low to enable the RO. Drive $\overline{RE}$ high to disable the RO output and put the RO output in a high-impedance state. $\overline{RE}$ is referenced to VL.
3	3	DI	Driver Input. Drive DI low to force the noninverting output low and the inverting output high. Drive DI high to force the noninverting output high and inverting output low. DI is referenced to VL.
4	4	VCC	Power-Supply Voltage. Bypass VCC to GND with a 0.1μF ceramic capacitor placed as close as possible to the device.
5	5	$\overline{TERM}$	Active-Low Termination Resistor Enable. Drive $\overline{TERM}$ low to enable the internal termination resistor. $\overline{TERM}$ is referenced to VL.
6	6	VL	Logic Supply Voltage. Bypass VL to GND with a 0.1μF ceramic capacitor placed as close as possible to the device.
7	—	RO	Receiver Output. When receiver is enabled and $V_A - V_B \geq -50\text{mV}$ , RO is high. If $V_A - V_B \leq -200\text{mV}$ , RO is low. RO is referenced to VL.
—	7	RO	Receiver Output. When INV is low, receiver is enabled and $V_A - V_B \geq -50\text{mV}$ , RO is high. If $V_A - V_B \leq -200\text{mV}$ , RO is low. When INV is high, receiver is enabled and $V_A - V_B \geq -50\text{mV}$ , RO is low. If $V_A - V_B \leq -200\text{mV}$ , RO is high. RO is referenced to VL.
8	—	A	Noninverting Receiver Input
—	10	A	If INV is low, A is a noninverting receiver input and a noninverting driver output. If INV is high, A is an inverting receiver input and an inverting driver output.
9	—	B	Inverting Receiver Input
—	12	B	If INV is low, B is an inverting receiver input and an inverting driver output. If INV is high, B is a noninverting receiver input and a noninverting driver output.

MAX13450E/MAX13451E

# RS-485 Transceivers with Integrated 100Ω/120Ω Termination Resistors

## Pin Description (continued)

PIN		NAME	FUNCTION
MAX13450E	MAX13451E		
10	—	Y	Noninverting Driver Output
11	11	GND	Ground
12	—	Z	Inverting Driver Output
13	13	TERM100	Termination Resistor Value Selection Input. Drive TERM100 low to select a 120Ω termination and high to select a 100Ω termination. The TERM100 input is referenced to V <sub>L</sub> .
14	14	SRL	Slew-Rate Limiting-Enable Input. Drive SRL high to enable slew-rate limiting and low to disable slew-rate limiting. The SRL input is referenced to V <sub>L</sub> .
—	8	INV	Inversion Input. Drive INV high to internally swap RO logic level with respect to A and B signals.
—	9	FAULT	Fault Flag Output. FAULT asserts high in overcurrent conditions or if A/B are forced below GND or above V <sub>CC</sub> when the driver is enabled. FAULT is referenced to V <sub>L</sub> .
—	—	EP	Exposed Pad. Connect EP to GND. Do not use EP as the only GND connection.

## Function Tables

**Table 1. Termination Resistor Control (MAX13450E/MAX13451E)**

TERM	DE	RE	TERMINATION RESISTOR
Low	X	X	Activated
High	X	X	Not activated

**Table 2. Shutdown Control (MAX13450E/MAX13451E)**

DE	RE	TERM	STATE
Low	High	High	Shutdown

**Table 3. Function Table for Transmitter (MAX13450E)**

INPUT		OUTPUT	
DE	DI	Y	Z
Low	X	High-Z	High-Z
High	Low	Low	High
	High	High	Low

**Table 4. Function Table for Receiver (MAX13450E)**

INPUT		OUTPUT
RE	A-B	RO
High	X	High-Z
Low	≥ -50mV or Open	High
	≤ -200mV	Low

**Table 5. INV Input Function Table for Transmitter (MAX13451E)**

INPUT			OUTPUT	
DE	INV	DI	A	B
Low	X	X	High-Z	High-Z
High	Low	Low	Low	High
		High	High	Low
	High	Low	High	Low
		High	Low	High

# RS-485 Transceivers with Integrated 100Ω/120Ω Termination Resistors

MAX13450E/MAX13451E

## Function Tables (continued)

**Table 6. INV Input Function Table for Receiver (MAX13451E)**

INPUT			OUTPUT
$\overline{RE}$	INV	A-B	RO
High	X	X	High-Z
Low	Low	$\geq -50\text{mV}$ or Short or Open	High
		$\leq -200\text{mV}$	Low
	High	$\geq -50\text{mV}$ or Open	Low
		$\leq -200\text{mV}$	High

## Detailed Description

The MAX13450E is a full-duplex, RS-485/RS-422-compatible transceiver and the MAX13451E is a half-duplex, RS-485/RS-422-compatible transceiver. Both devices have an internal 100Ω/120Ω termination resistor. The MAX13450E/MAX13451E have a  $V_L$  supply voltage input to support down to a +1.8V voltage logic interface.

The MAX13450E/MAX13451E feature a 1/8-unit load receiver input impedance, allowing up to 256 transceivers on the bus. All line interface pins are protected to  $\pm 30\text{kV}$  ESD based on the HBM. These devices also include fail-safe circuitry, guaranteeing a defined logic-level receiver output when the receiver inputs are open or shorted.

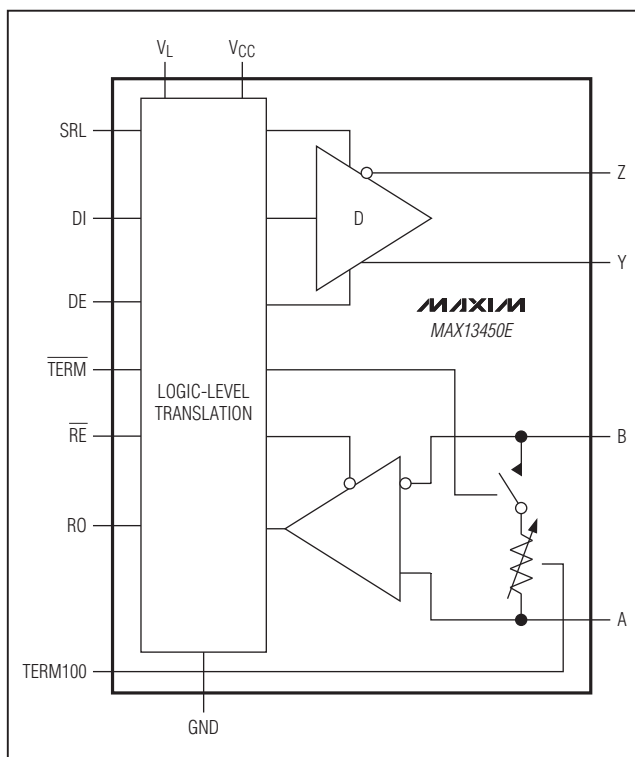
The MAX13450E/MAX13451E allow slew-rate-limited driver outputs for lower data rates below 500kbps. The SRL reduces the slew rate, which reduces EMI emissions and reflections caused by improperly terminated cables.

The MAX13451E has a FAULT output that indicates a fault condition on the driver. The MAX13451E also has an INV input that inverts the phase of A and B pins.

### Termination Resistor

The MAX13450E/MAX13451E feature a selectable internal termination resistor. Drive the  $\overline{TERM}$  input low to enable the internal termination resistor. Drive the  $\overline{TERM}$  input high to disable the internal termination resistor.

## Functional Diagram (MAX13450E)



Drive the  $\overline{TERM100}$  input high to select the 100Ω termination resistor. Drive  $\overline{TERM100}$  input low to select the 120Ω termination resistor.

### INV Input (MAX13451E)

The INV input of the MAX13451E reverses the polarity of the RO receiver output (see Table 5 and 6). If the INV input is high then the RO output is low under fail-safe receiver conditions. This is the opposite polarity of normal fail-safe operations.

### Fault Condition (MAX13451E)

The MAX13451E also has a FAULT output to indicate a fault condition. The FAULT output is active high when there is a short circuit at the driver's output, an over/undervoltage at the driver's outputs, or the device's temperature is higher than +150°C.

# RS-485 Transceivers with Integrated 100Ω/120Ω Termination Resistors

## Thermal Shutdown

When the devices' temperature goes over +150°C, the termination resistor turns off, and the transmitter shuts down while the receiver stays active.

## Fail Safe

The MAX13450E guarantee a logic-high receiver output when the receiver inputs are shorted or open, or when they are connected to a terminated transmission line with all drivers disabled. This is done by setting the receiver input threshold between -50mV and -200mV. If the differential receiver input voltage (A - B) is greater than or equal to -50mV, RO is logic-high. If (A - B) is less than or equal to -200mV, RO is logic-low. In the case of a terminated bus with all transmitters disabled, the receiver's differential input voltage is pulled to 0V by the termination resistor. With the receiver thresholds of the MAX13450E, this results in RO being logic-high.

The MAX13451E has the same fail-safe receiver behavior as the MAX13450E when the INV input is low. When the INV input is high, RO is low under the fail-safe condition.

## ESD Protection

As with all Maxim devices, ESD-protection structures are incorporated on all pins to protect against electrostatic discharges encountered during handling and assembly. The driver outputs and receiver inputs of the MAX13450E/MAX13451E have extra protection against static electricity. The ESD structures withstand high ESD in all states: normal operation, shutdown, and powered down. After an ESD event, the MAX13450E/MAX13451E keep working without latchup or damage.

ESD protection can be tested in various ways. The transmitter outputs and receiver inputs of the MAX13450E/MAX13451E are characterized for protection to the following limits:

- ±30kV using the Human Body Model
- ±15kV using the Air Gap Discharge Method specified in IEC 61000-4-2
- ±7kV using the Contact Discharge Method specified in IEC 61000-4-2

## ESD Test Conditions

ESD performance depends on a variety of conditions. Contact Maxim for a reliability report that documents test setup, test methodology, and test results.

## Human Body Model

Figure 11a shows the Human Body Model, and Figure 11b shows the current waveform it generates when discharged into a low impedance. This model consists of a 100pF capacitor charged to the ESD voltage of interest, which is then discharged into the test device through a 1.5kΩ resistor.

## IEC 61000-4-2

The IEC 61000-4-2 standard covers ESD testing and performance of finished equipment. However, it does not specifically refer to integrated circuits. The MAX13450E/MAX13451E help equipment designs to meet IEC 61000-4-2, without the need for additional ESD-protection components. The major difference between tests done using the Human Body Model and IEC 61000-4-2 is higher peak current in IEC 61000-4-2 because series resistance is lower in the IEC 61000-4-2 model. Hence, the ESD withstand voltage measured to IEC 61000-4-2 is generally lower than that measured using the Human Body Model. Figure 11c shows the IEC 61000-4-2 model, and Figure 11d shows the current waveform for the IEC 61000-4-2 ESD Contact Discharge test.

## Applications Information

### Typical Applications

The MAX13450E transceiver is designed for full-duplex, bidirectional data communications on point-to-point or multipoint bus transmission lines (Figure 12). The MAX13451E transceiver is designed for half-duplex, bidirectional data communications on point-to-point or multipoint bus transmission lines (Figure 13).

### 256 Transceivers on the Bus

The standard RS-485 receiver input impedance is one-unit load, and the standard driver can drive up to 32-unit loads. The MAX13450E/MAX13451E have a 1/8-unit load receiver input impedance, allowing up to 256 transceivers to be connected in parallel on one communication line. Any combination of these devices, as well as other RS-485 transceivers with a total of 32-unit loads or fewer, can be connected to the line.

### Reduced EMI and Reflections

The MAX13450E/MAX13451E feature reduced slew-rate drivers that minimize EMI and reduce reflections caused by improperly terminated cables, allowing error-free data transmission up to 500kbps.

# RS-485 Transceivers with Integrated 100Ω/120Ω Termination Resistors

**MAX13450E/MAX13451E**

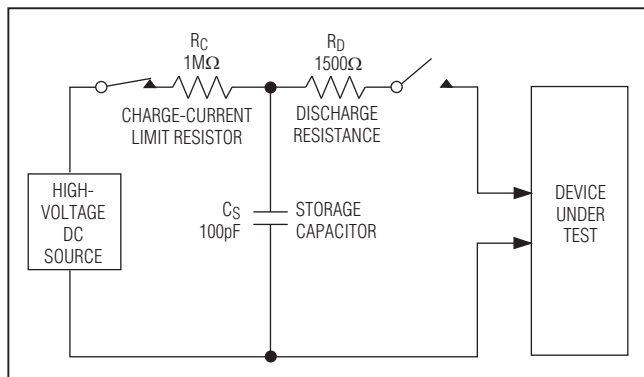


Figure 11a. Human Body ESD Test Model

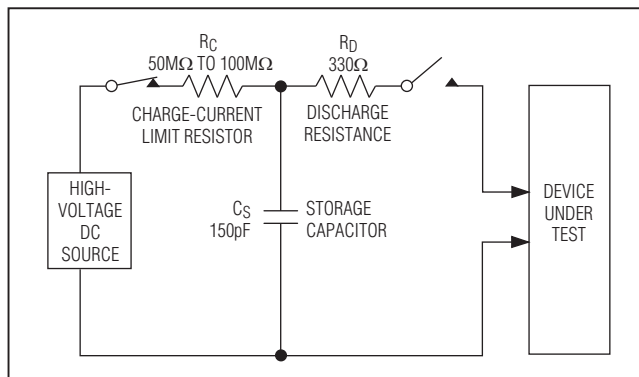


Figure 11c. IEC 61000-4-2 ESD Test Model

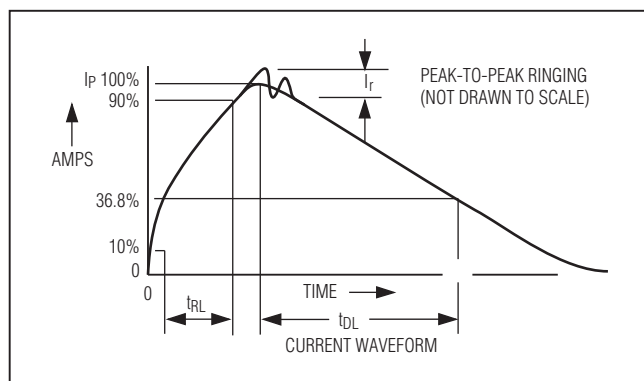


Figure 11b. Human Body Current Waveform

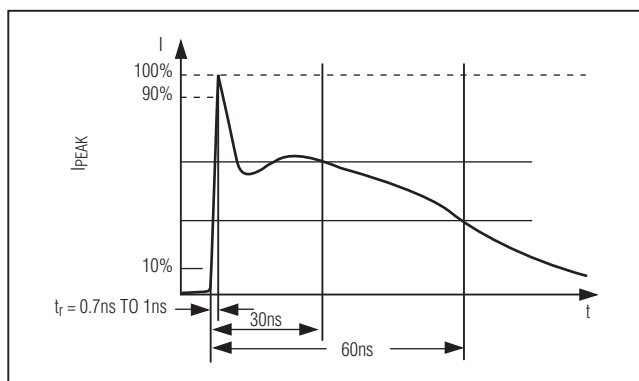


Figure 11d. IEC 61000-4-2 ESD Generator Current Waveform

## Typical Application Circuits

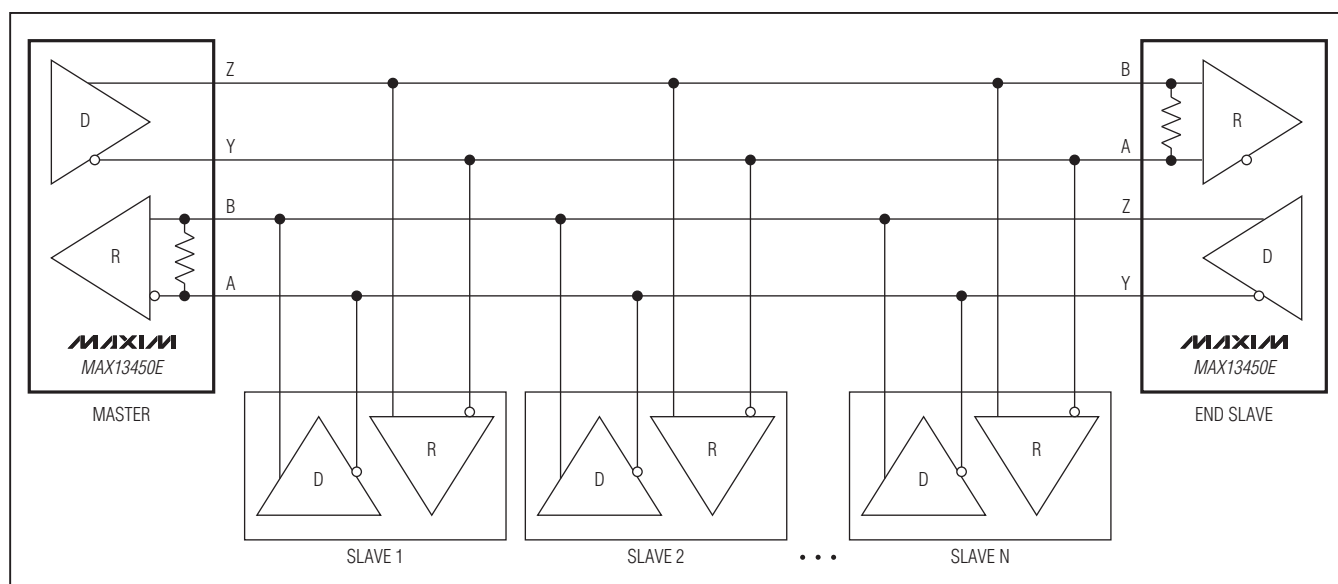


Figure 12. Full-Duplex, Multidrop (MAX13450E)

# RS-485 Transceivers with Integrated 100Ω/120Ω Termination Resistors

## Typical Application Circuits (continued)

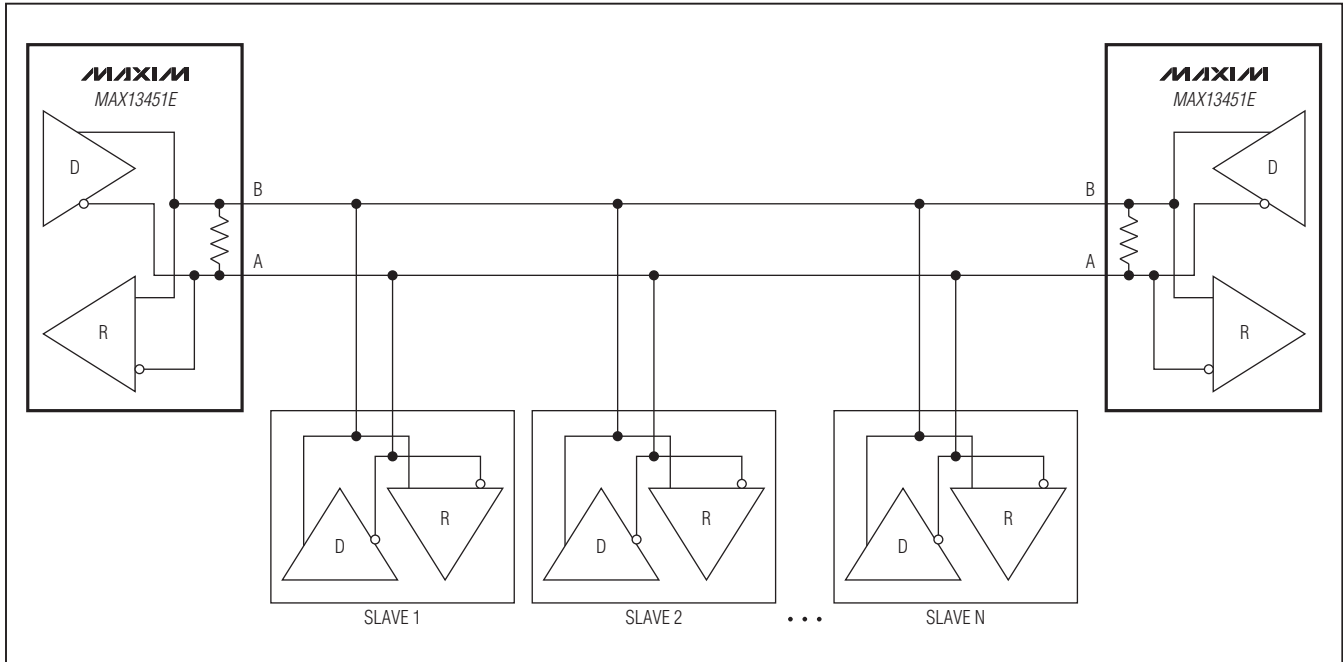


Figure 13. Half-Duplex, Multidrop, and Point-to-Point Systems (MAX13451E)

### Low-Power Shutdown Mode

Drive  $\overline{RE}$  high, DE low, and  $\overline{TERM}$  high to enter low-power shutdown mode (see Table 2).

### Chip Information

PROCESS: BiCMOS

### Package Information

For the latest package outline information and land patterns, go to [www.maxim-ic.com/packages](http://www.maxim-ic.com/packages). Note that a "+", "#", or "-" in the package code indicates RoHS status only. Package drawings may show a different suffix character, but the drawing pertains to the package regardless of RoHS status.

PACKAGE TYPE	PACKAGE CODE	OUTLINE NO.	LAND PATTERN NO.
14 TSSOP-EP	U14E+3	<a href="#">21-0108</a>	<a href="#">90-0119</a>



# RS-485 Transceivers with Integrated 100Ω/120Ω Termination Resistors

## Revision History

REVISION NUMBER	REVISION DATE	DESCRIPTION	PAGES CHANGED
0	4/10	Initial release	—
1	11/10	Updated the $V_L$ specification in the <i>Electrical Characteristics</i> and <i>Switching Characteristics</i> tables	2-5

MAX13450E/MAX13451E

Maxim cannot assume responsibility for use of any circuitry other than circuitry entirely embodied in a Maxim product. No circuit patent licenses are implied. Maxim reserves the right to change the circuitry and specifications without notice at any time.

Maxim Integrated Products, 120 San Gabriel Drive, Sunnyvale, CA 94086 408-737-7600 \_\_\_\_\_ 17